



THE SWIMSUIT

— D R Y E R —

User Manual

240v 50/60hz models

Table of Contents

1	PURPOSE	3
1.1	PROPER USAGE AND LIABILITY	3
1.2	IDENTIFICATION & CERTIFICATION	3
2	THE SWIMSUIT DRYER INFORMATION	4
2.1	WHERE WOULD YOU EXPECT TO FIND THE SWIMSUIT DRYER	4
2.2	ITEMS SUPPLIED WITH THE SWIMSUIT DRYER	4
2.3	LOCATION AND PRE-INSTALLATION	4
3	TRANSIT BAR	5
4	WALL MOUNTED INSTALLATION (WALL & COUNTER TOP MODELS)	6
4.1	SECURE THE WALL PLATE	6
4.2	WALL MOUNTED MODEL – INSTALLATION DIAGRAM	7
4.3	COUNTER-TOP MODEL – WALL INSTALLATION DIAGRAM	8
5	COUNTER-TOP INSTALLATION	9
5.1	SURFACE PREPARATION	9
5.2	COUNTER-TOP MODEL – COUNTER-TOP	10
5.3	CONNECTING THE SWIMSUIT DRYER TO A WASTE OUTLET	11
6	ELECTRICAL CONNECTION	12
6.1	RECEPTABLE/ ELECTRICAL SOCKET	12
6.2	HARD WIRED	12
7	MAINTENANCE & CLEANING	13
7.1	CLEANING REQUIREMENTS	13
7.2	CLEANING INSTRUCTIONS	13
7.3	WEEKLY CLEANING REQUIREMENTS	13
7.4	MONTHLY CLEANING REQUIREMENTS	14
8	MALFUNCTIONS/ TROUBLESHOOTING GUIDE	15
8.1	LEAKING	15
8.1	SERVICE LIFE	15
8.2	OPERATIONAL MALFUNCTIONS	15
8.3	WARRANTIES AND GUARANTEES	15
9	TECHNICAL SPECIFICATIONS	16

1 Purpose

The purpose of the Swimsuit Dryer is to give the user the facility to remove water from their Swimsuits quickly, thus increasing their satisfaction with the pool experience, encouraging the user to continue to use the pool, sauna, steam room and other wet facilities offered. The Swimsuit Dryer has been designed, not only to increase the user's satisfaction, but to also offer a low-cost maintenance solution for the purchaser.

1.1 Proper usage and liability

The Swimsuit Dryer is intended to dry Swimsuits ONLY, neither The Swimsuit Dryer Company, the purchaser, nor the facility where the Swimsuit Dryer is installed will not be liable or take responsibility for any damages to swimming costumes where the user has not properly followed the instructions given.

The appliance is not to be used by persons (including children) with reduced physical, sensory, or mental capabilities, or lack of experience and knowledge, unless they have been given supervision or instruction

1.2 Identification & Certification

Please see the label located on the bottom right-hand side of The Swimsuit Dryer for the following Information:

- Serial Number
- Voltage and Frequency
- Manufactured Date
- Certification.

2 The Swimsuit Dryer Information

2.1 Where Would You Expect to Find the Swimsuit Dryer

The Facilities that a user could expect to find The Swimsuit Dryer installed in are:

- Health Clubs • Gyms • Public Swimming Pools • Hotels with Leisure Facilities • Spas • Holiday Resorts • Universities • Wellness Centers • Recreation Centers • Cruise Liners
- Any Commercial Property with a pool or wet area.

2.2 Items Supplied with the Swimsuit Dryer

The Swimsuit Dryer will be supplied with the following items. The items listed below must be kept should the unit experience a fault in or out of warranty, and to carry out any necessary maintenance.

Shipping Box and Packaging	Securing Bracket
User Manual	Fixing Screws
T30 Screwdriver	Mounting Bracket
Swimsuit Dryer Cleaning Brush	Cleaning Towel & Cleaner

2.3 Location and Pre-Installation.

We recommended all Next Generation Swimsuit Dryers are Installed:

- In a changing/Locker room, outside a changing/Locker room, in a corridor, or in an area where facility users have access, a dry or semi wet area, and a location where the wastewater can be removed.

The Swimsuit Dryer Must NOT be installed by anyone in any of the following locations:

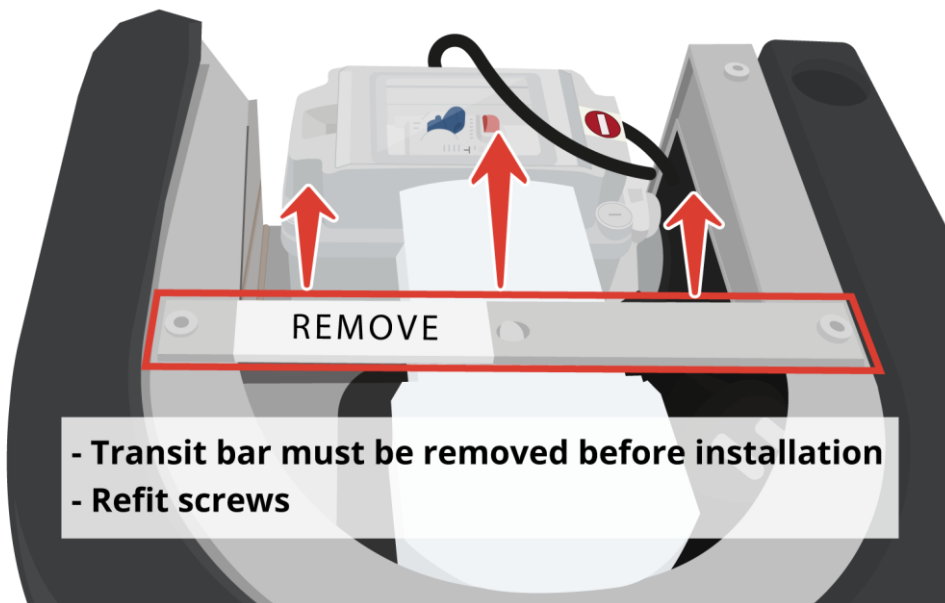
- Any location where local laws and regulations do not permit mains equipment to be installed.

3 TRANSIT BAR

***MAKE SURE YOU REMOVE THE TRANSIT BAR
FROM UNDERNEATH THE SWIMSUIT DRYER!***



If the Transit Bar is not removed from underneath the Swimsuit Dryer, it will not work.



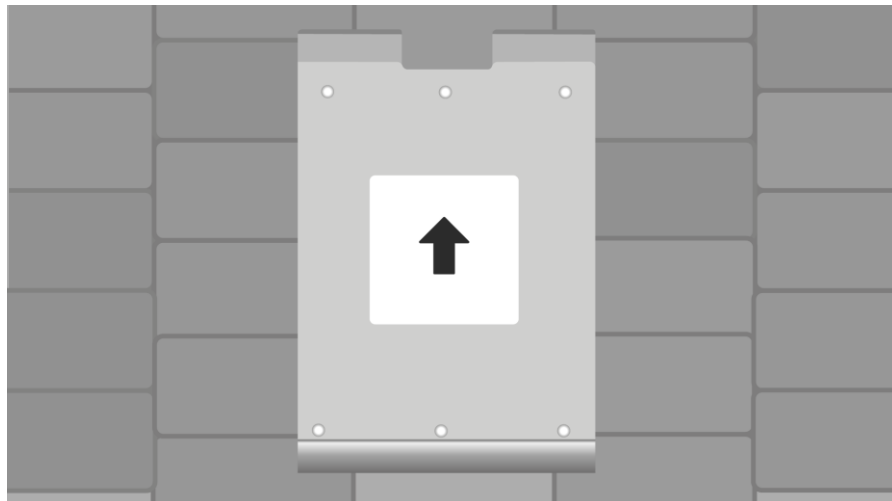
4 Wall Mounted Installation (Wall & Counter Top Models)

4.1 Secure the Wall Plate

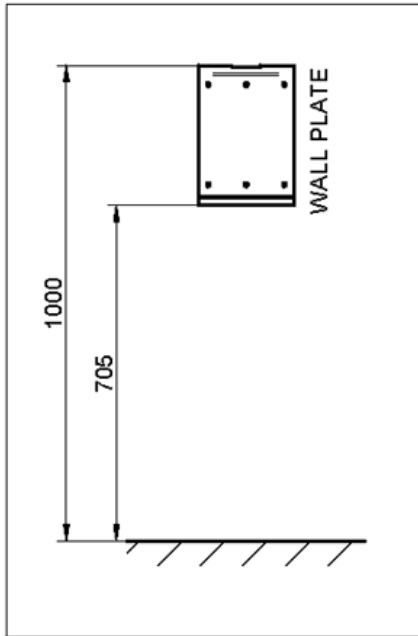
- Please ensure the wall can support approximately 30kg/ 66lbs of weight.
- Place the wall mount on the wall and ensure the top is 1 meter from the floor, check with a spirit level to ensure the Mounting bracket is level. Mark your locating holes and drill the holes, insert wall fixings, then use the mounting screws to secure the bracket to the wall.

After securing the mounting bracket to the wall ensure it is level and fastened to the wall securely!

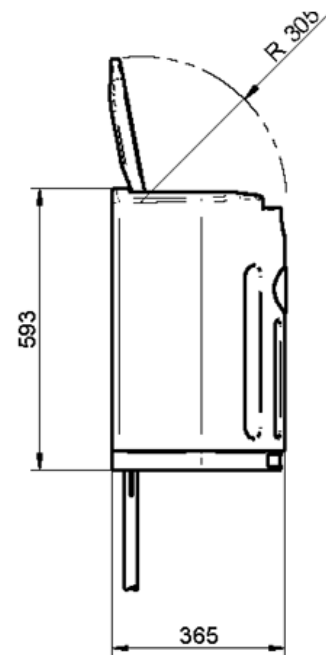
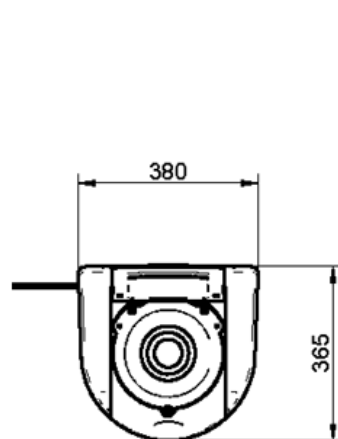
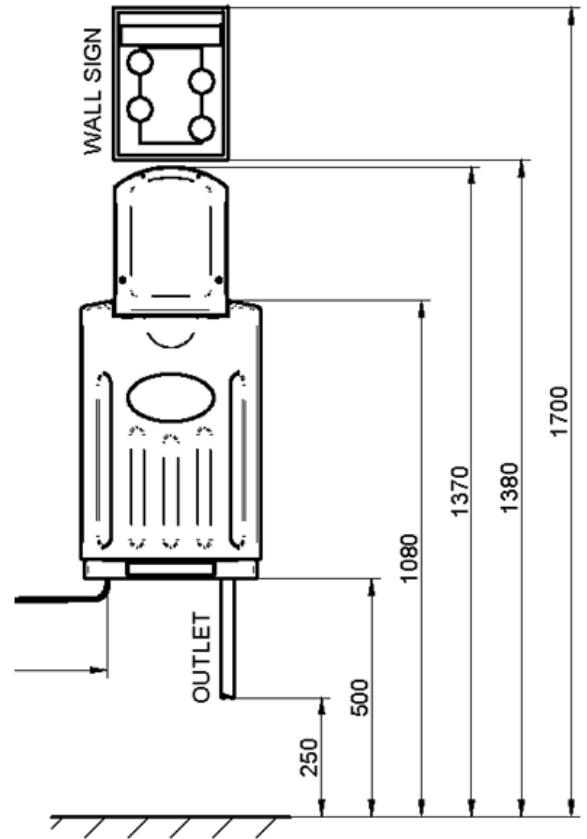
- Place the Swimsuit Dryer onto the mounting bracket and connect it to the power and drainage.



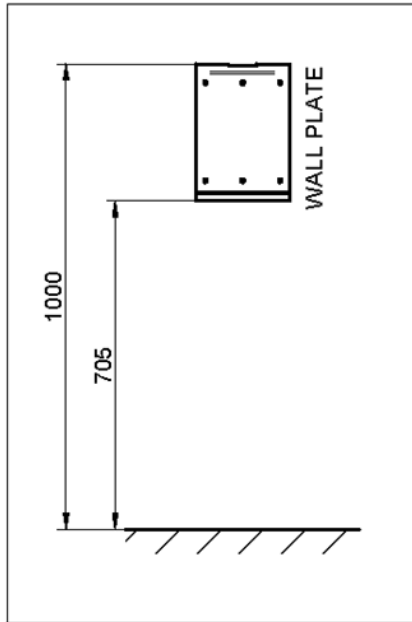
4.2 Wall Mounted Model – Installation Diagram



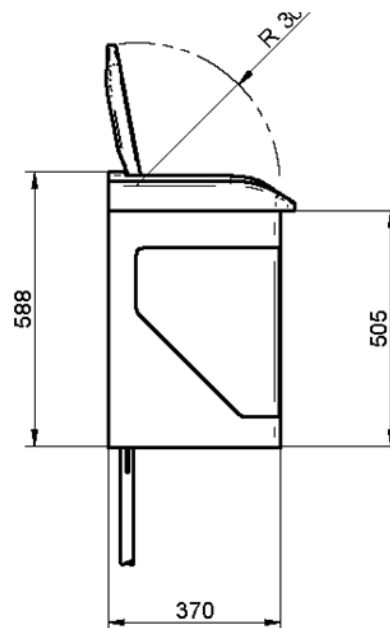
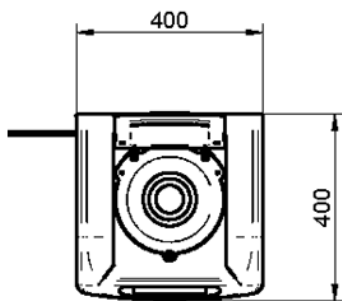
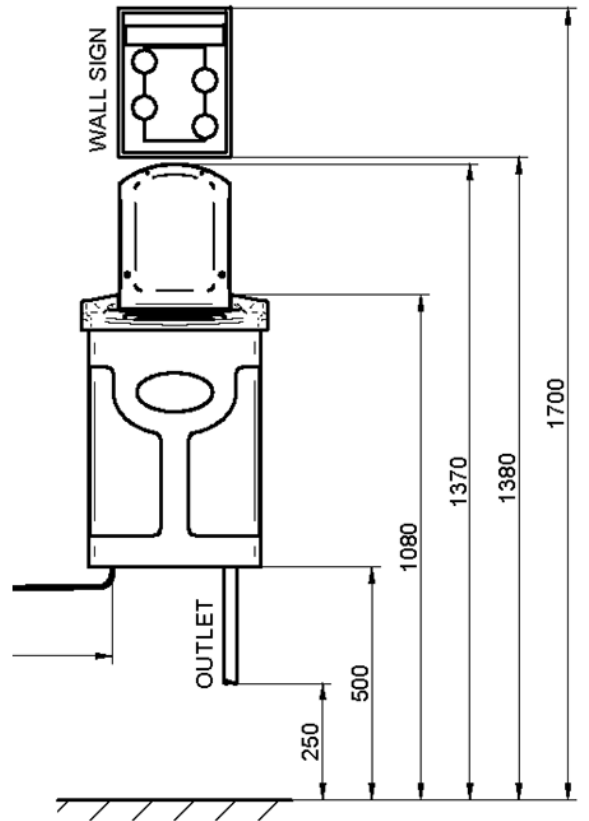
WALL PLATE DETAIL



4.3 Counter-Top Model – Wall Installation Diagram



WALL PLATE DETAIL



5 Counter-Top Installation

5.1 Surface Preparation

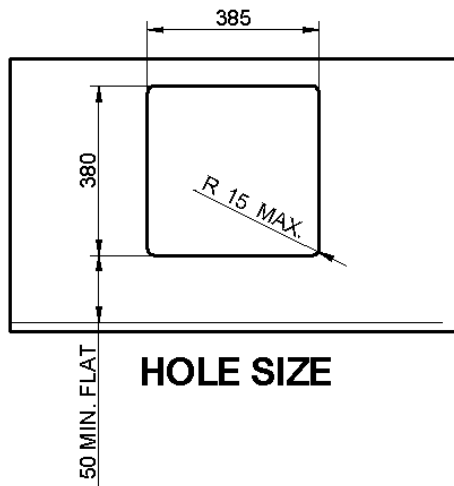
- Please ensure the countertop or tabletop can support approximately 30kg/ 66lbs of weight.
- Measure your surface using the dimensions shown on the installation diagram and cut this out.



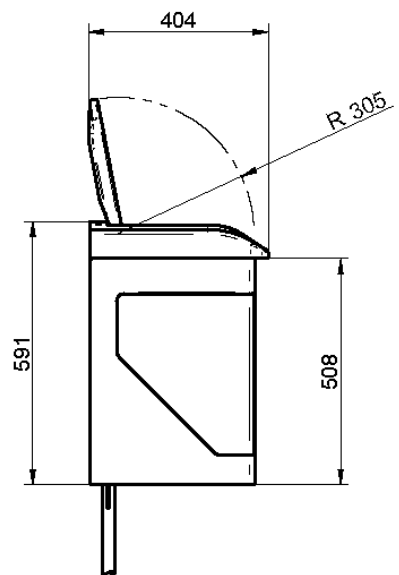
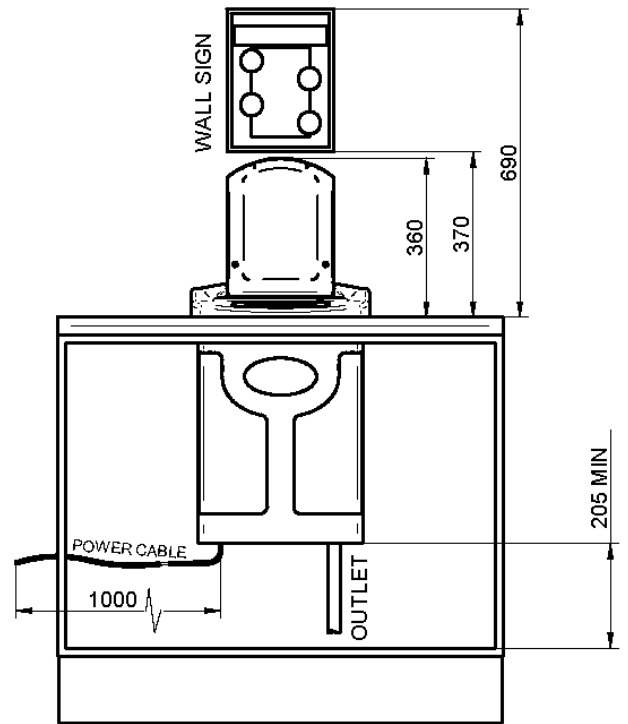
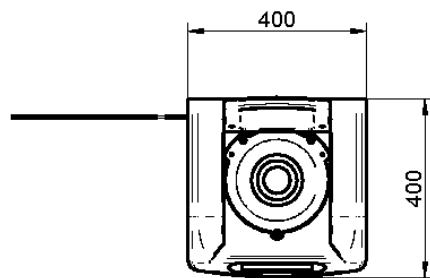
- Place the Swimsuit Dryer into the hole and connect it to the power and drainage.



5.2 Counter-Top Model – Counter-Top



HOLE SIZE



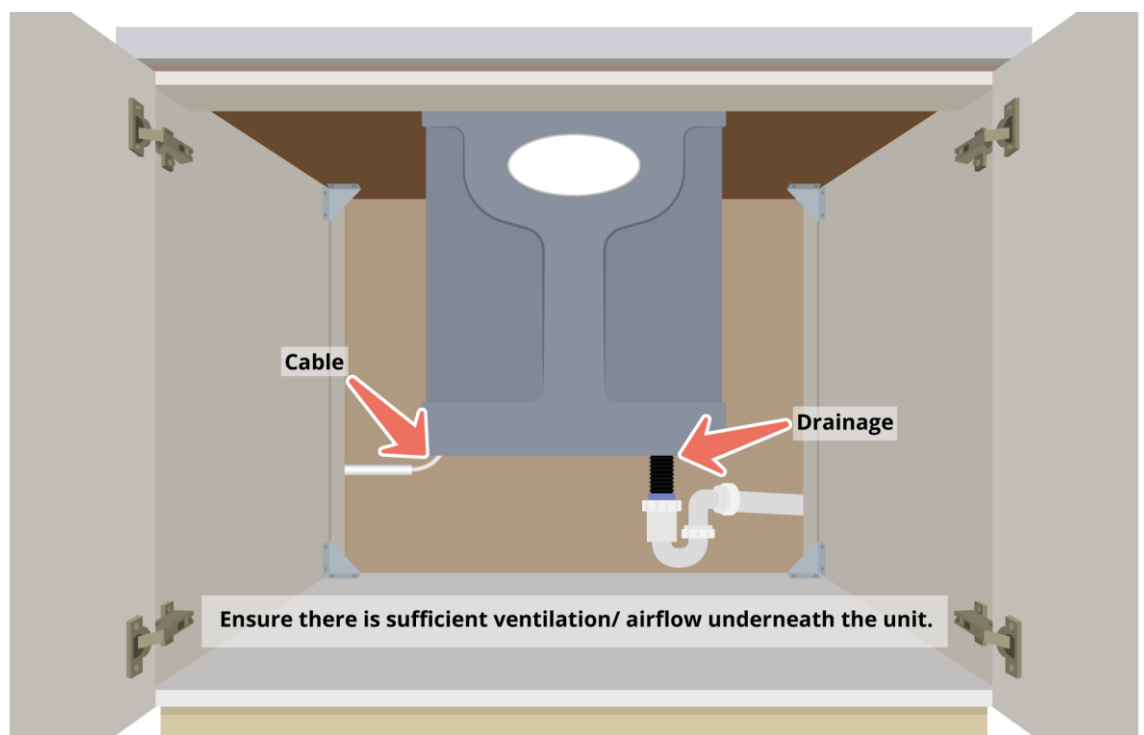
COUNTER UNIT NOT PART OF ASSEMBLY. SHOWN AS REPRESENTATION ONLY

5.3 Connecting the Swimsuit Dryer to a waste outlet

If you have not purchased our built-in water tank, the Swimsuit Dryer will need to be connected to your waste water outlet. This can be done by a professional tradesman.

Simply connect the waste outlet to your external plumbing.

Example of Swimsuit Dryer plumbed into the wall.



Ensure there is sufficient ventilation underneath the unit.

6 Electrical Connection

Please consult with a qualified electrician and ensure he complies with the local regulations.

6.1 Receptable/ Electrical Socket

If you are in the USA, UK, EU, or country that has the same connections you can order your Swimsuit Dryer with a plug. Simply plug the Swimsuit Dryer in and you are ready to use.



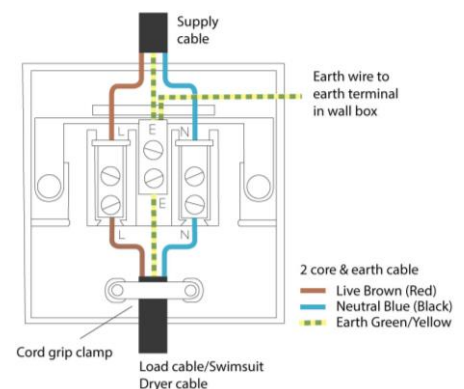
** Weatherproof electrical enclosures must comply with all local Electrical Regulations.

6.2 Hard Wired

If you need to hard wire your Swimsuit Dryer into a Fused Socket or Receptable please contact a qualified electrician.



Representative images ONLY



7 Maintenance & Cleaning

The Swimsuit Dryer has been manufactured to be maintenance FREE.

7.1 Cleaning Requirements

Your Swimsuit Dryer should be cleaned weekly, or as required.

Equipment Required:

- Cleaner and Disinfectant
- Hand Towel
- Screwdriver

DO NOT pour large amounts of water or cleaning solution directly into the Swimsuit Dryer.

7.2 Cleaning Instructions

To keep your Swimsuit Dryer clean and sanitized, we recommend you use a general disinfectant.

7.3 Weekly Cleaning Requirements

Step 1

Spray the outer body of the Swimsuit Dryer with disinfectant and wipe it down with the cleaning towel.

7.4 Monthly Cleaning Requirements

Step 1

- Lift the lid and remove the Top Cover.
- Spray the cleaner inside the drum/ basket and down between the drum and liner.

Step 2

- Re-fit the top ring cover making sure to tighten the security screws.
- Operate the dryer for 10 seconds to remove any cleaner from inside the drum.

You can find more information and simple online videos on our website:

www.swimsuitdryer.com.



8 Malfunctions/ Troubleshooting Guide

8.1 Leaking

If the Swimsuit Dryer is leaking from the bottom of the unit, please resolve this immediately to prevent any damage to the motor:

- Remove the Top Cover, check and remove any blockages.

If your Swimsuit Dryer is still leaking check your external waste connection or contact us.

8.1 Service Life

To ensure continued reliability and safety we recommend the equipment is serviced is serviced at least every 5 years.

8.2 Operational Malfunctions

The Swimsuit Dryer has been designed and manufactured to be an exceptionally reliable and durable machine. Should the product malfunction, please contact us.

info@swimsuitdryer.global, sales@swimsuitdryer.co.uk, sales@swimsuitdryer.com,

8.3 Warranties and Guarantees

All Swimsuit Dryers are covered by our GLOBAL GUARANTEE protection warranty. This Guarantees you a minimum of 1-year Global warranty for all Factory refurbished Dryers and 2 years for all New Swimsuit Dryer.

For full terms visit: www.swimsuitdryer.global.

9 Technical Specifications

Weight:	20kg / 44lbs free standing 25kg / 55lbs fully boxed	
Energy:	Standby: approximately 3 watts Per hour Running: approximately 0.97 watts per cycle.	
Safety Details:	5 Year Service Life RCD Installed Low Voltage LEDs Overload Protected Safety Brake	PAT Tested PTO Installed IP65 Enclosures IP54 Brake Motor UL 94
Voltage:	220-240 Volt 50/60 Hz local supply	
Mounting:	Wall Mounted or Counter-Top	
Waste Hose:	60cm from the unit 23.62" from the unit Custom Length Available	
Basket Volume:	2 litres	
Waste Outlet:	Connects directly to waste outlet: 32mm / 1 1/4 Hose Internal Diameter 28.0mm / 1.10" Hose Outside Diameter 33.5mm / 1.31"	
Noise Emission:	Approximately 50 – 60dB when used correctly	
Warranty (FULL):	2 Year Global Guarantee – New 1 Year Global Guarantee – Factory Refurbished ** Inclusive of shipping, parts, and labour.	
Extended warranty:	3 Year Motor and Brake	