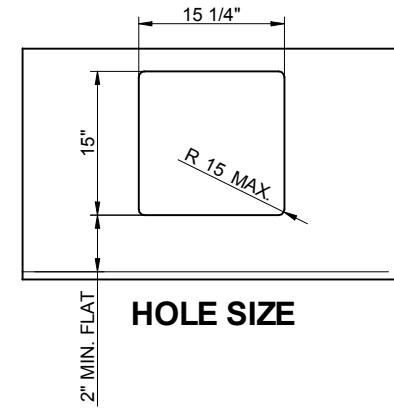
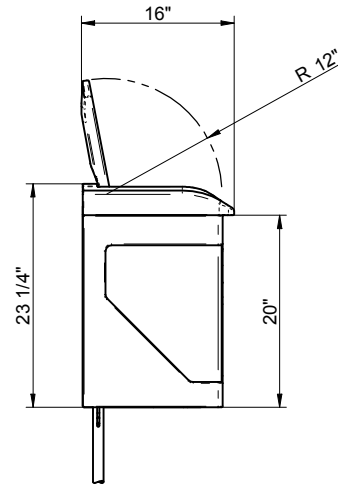
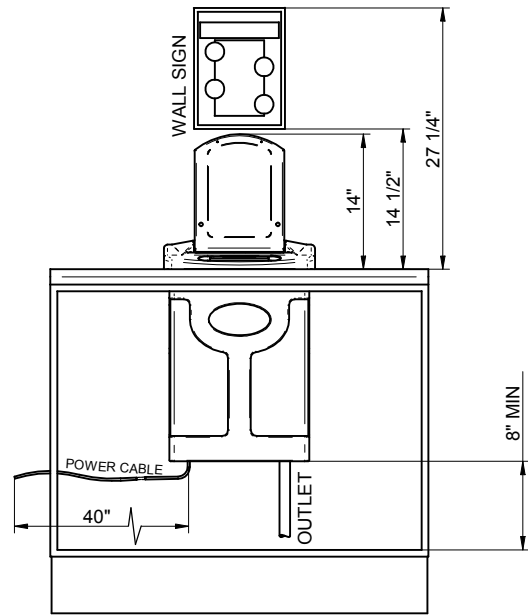
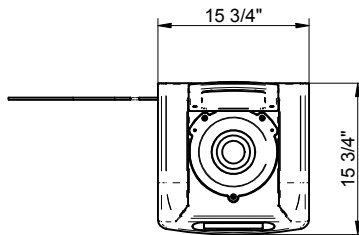


REVISION HISTORY			
REV	DESCRIPTION	DATE	APPROVED

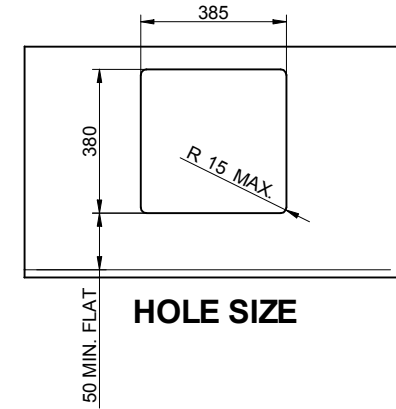
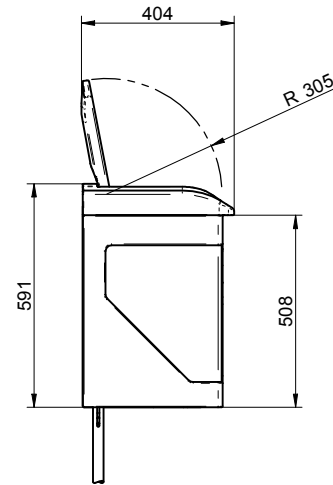
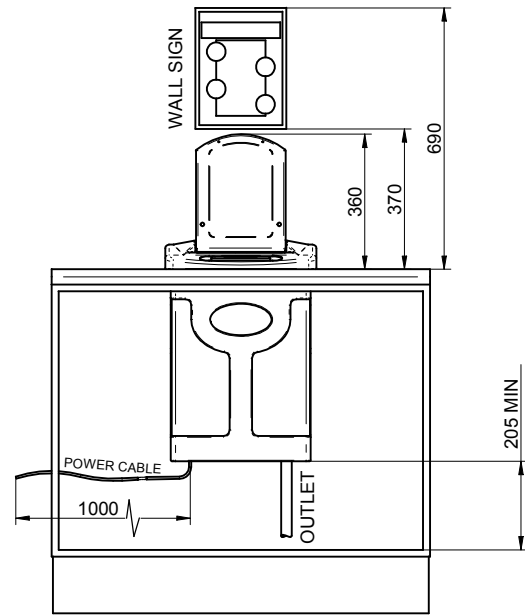


COUNTER UNIT NOT PART OF ASSEMBLY - SHOWN AS REPRESENTATION ONLY

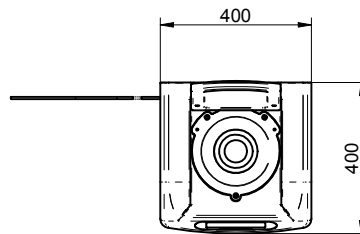



<b>6&amp;7 Merrylees Industrial Estate, Leaside Leicestershire, LE9 9FS. Tel: 01530 231000 info@shoretan.com.</b>		<table border="1"> <tr> <th>NAME</th> <th>DATE</th> </tr> <tr> <td>Dan Vardy</td> <td>09/24/19</td> </tr> </table>	NAME	DATE	Dan Vardy	09/24/19	TITLE		
		NAME	DATE						
		Dan Vardy	09/24/19						
		<table border="1"> <tr> <th>CHECKED</th> <th>ENG APPR</th> <th>MGR APPR</th> </tr> <tr> <td> </td> <td> </td> <td> </td> </tr> </table>	CHECKED	ENG APPR	MGR APPR				<b>Drier Van_Unit</b>
CHECKED	ENG APPR	MGR APPR							
UNLESS OTHERWISE SPECIFIED DIMENSIONS ARE IN MILLIMETERS ANGLES +XX° 2 PL *XXX 3 PL *XXXX		SIZE A3	DWG NO	REV					
FILE NAME: Inst Tech_Ins_Unit_imp.dft		SCALE:	WEIGHT:	SHEET 1 OF 1					

REVISION HISTORY			
REV	DESCRIPTION	DATE	APPROVED

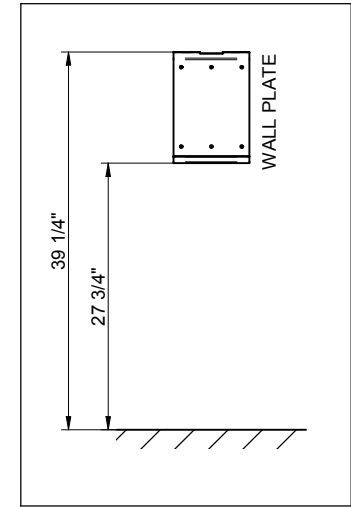
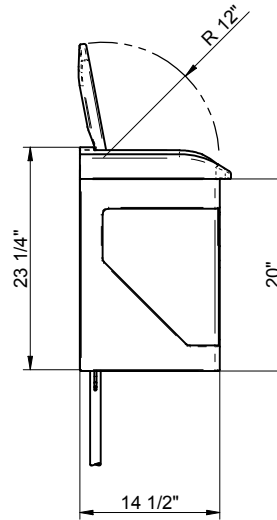
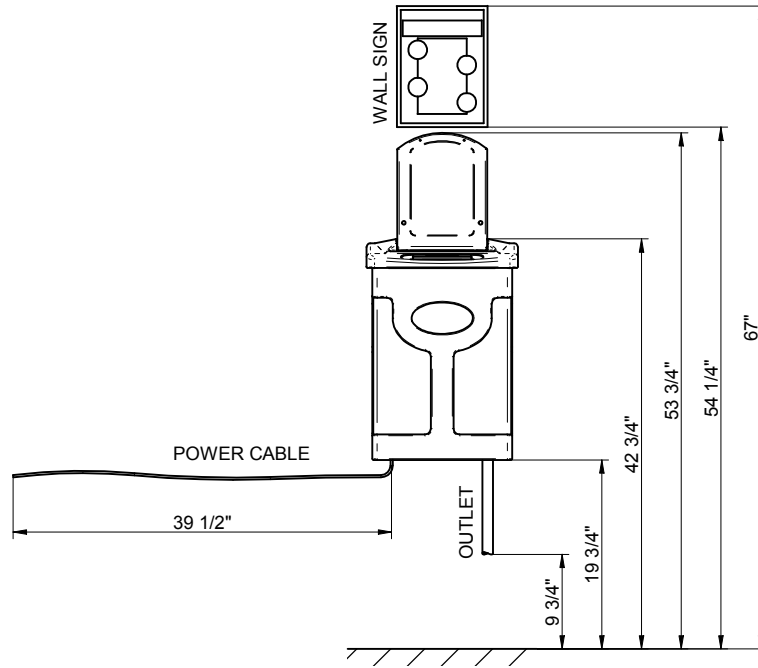


COUNTER UNIT NOT PART OF ASSEMBLY. SHOWN AS REPRESENTATION ONLY

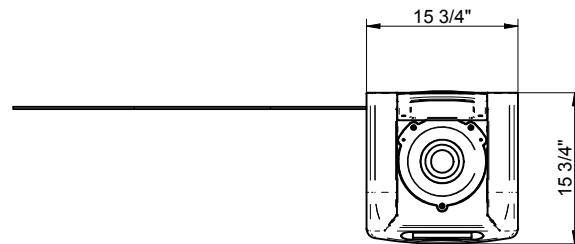


<b>6&amp;7 Merrylees Industrial Estate, Leaside Leicestershire, LE9 9FS.</b> Tel: 01530 231000 info@shoretan.com.			DRAWN: Dan Vardy CHECKED: ENG APPR: MGR APPR:	NAME: DATE: 09/23/19	TITLE: <b>Drier Van_Unit</b>
UNLESS OTHERWISE SPECIFIED DIMENSIONS ARE IN MILLIMETERS ANGLES +X.X° 2 PL *XXX 3 PL *XXXX			SIZE: A3 DWG NO: FILE NAME: Inst Tech_hns_Unit_mm.dft	SCALE: WEIGHT: SHEET 1 OF 1	

REVISION HISTORY			
REV	DESCRIPTION	DATE	APPROVED

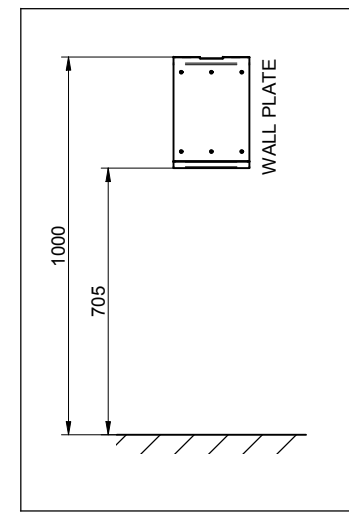
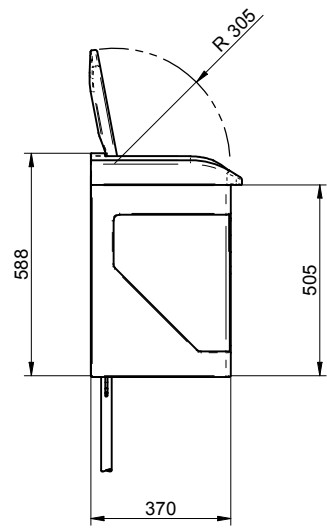
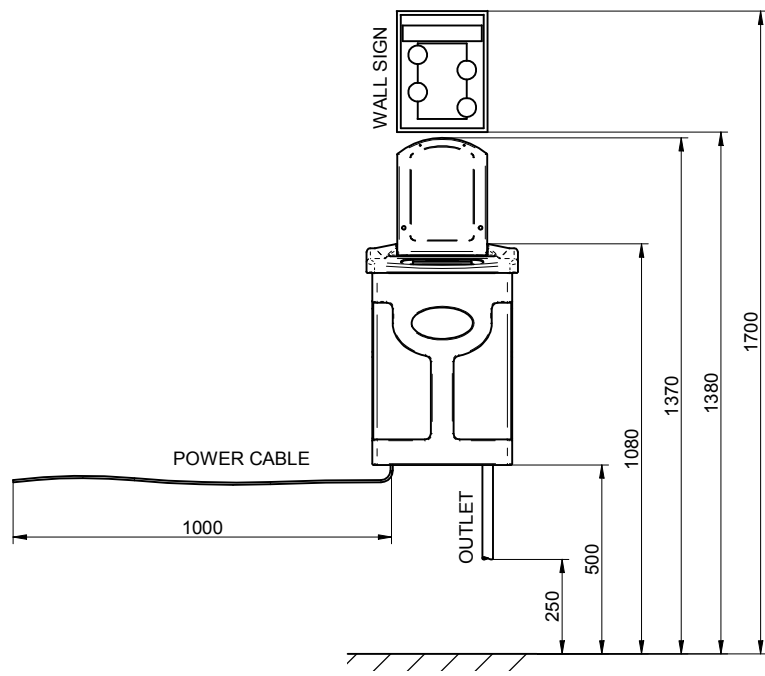


WALL PLATE DETAIL

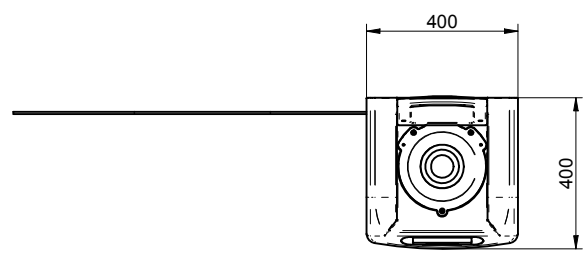



<b>6&amp;7 Merrylees Industrial Estate, Leaside Leicestershire, LE9 9FS.</b> Tel: 01530 231000 info@shoretan.com.			DRAWN: Dan Vardy CHECKED: ENG APPR: MGR APPR:	NAME: DATE: 09/23/19	TITLE: <b>Drier Van_Open</b>	SIZE: A3 DWG NO: REV:
UNLESS OTHERWISE SPECIFIED DIMENSIONS ARE IN MILLIMETERS ANGLES +XX° 2 PL *XXX 3 PL *XXXX			FILE NAME: Inst Tech_lns_Wall_imp.pdf SCALE: WEIGHT: SHEET 1 OF 1			

REVISION HISTORY			
REV	DESCRIPTION	DATE	APPROVED



WALL PLATE DETAIL



<b>6&amp;7 Merrylees Industrial Estate, Leaside Leicestershire, LE9 9FS.</b> Tel: 01530 231000 info@shoretan.com.		NAME: Dan Vardy DATE: 09/23/19	TITLE: Drier Van_Open			
		DRAWN: Dan Vardy CHECKED: ENG APPR: MGR APPR:	SIZE: A3 DWG NO:	REV:		
		UNLESS OTHERWISE SPECIFIED DIMENSIONS ARE IN MILLIMETERS ANGLES +XX° 2 PL *XXX 3 PL *XXXX		FILE NAME: Inst Tech_lns_WalL_mm.dft	SCALE:	WEIGHT:
				SHEET 1 OF 1		