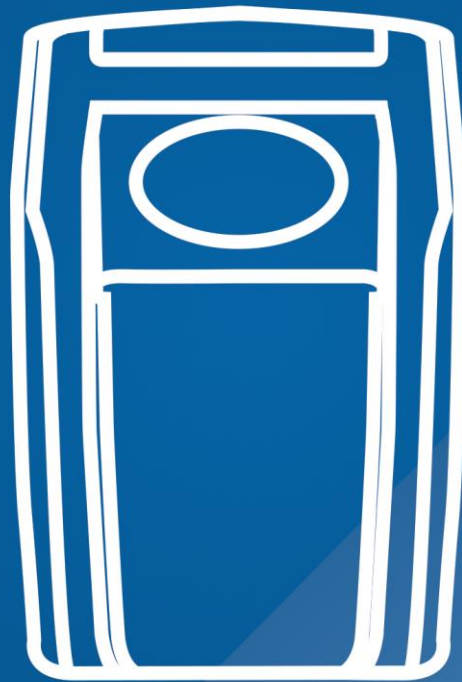




# THE SWIMSUIT — D R Y E R —



## USER MANUAL

**“NEXT GENERATION SWIMSUIT  
DRYER” 120V 50/60HZ**



<b>1</b>	<b>PURPOSE</b>	<b>3</b>
1.1	PROPER USAGE AND LIABILITY	3
1.2	IDENTIFICATION & CERTIFICATION	3
<b>2</b>	<b>THE SWIMSUIT DRYER INFORMATION</b>	<b>4</b>
2.1	WHERE WOULD YOU EXPECT TO FIND THE SWIMSUIT DRYER	4
2.2	ITEMS SUPPLIED WITH THE SWIMSUIT DRYER	4
2.3	LOCATION AND PRE-INSTALLATION	4
<b>1</b>	<b>WALL MOUNTED INSTALLATION (WALL &amp; COUNTER TOP MODELS)</b>	<b>5</b>
1.1	REMOVE YOUR TRANSIT BAR	5
1.2	FIX YOUR WALL PLATE	5
1.3	WALL MOUNTED MODEL – INSTALLATION DIAGRAM	6
1.4	COUNTER-TOP MODEL – WALL INSTALLATION DIAGRAM	7
<b>2</b>	<b>COUNTER-TOP INSTALLATION</b>	<b>8</b>
2.1	REMOVE YOUR TRANSIT BAR	8
2.2	SURFACE PREPARATION	8
2.3	COUNTER-TOP MODEL – COUNTER-TOP	9
2.4	CONNECTING THE SWIMSUIT DRYER TO A WASTE OUTLET	10
<b>3</b>	<b>ELECTRICAL CONNECTION</b>	<b>11</b>
3.1	RECEPTABLE/ ELECTRICAL SOCKET	11
3.2	HARD WIRED	11
<b>4</b>	<b>MAINTENANCE &amp; CLEANING</b>	<b>12</b>
4.1	CLEANING REQUIREMENTS	12
4.2	CLEANING INSTRUCTIONS	12
4.3	WEEKLY CLEANING REQUIREMENTS	12
4.4	MONTHLY CLEANING REQUIREMENTS	13
<b>5</b>	<b>MALFUNCTIONS/ TROUBLESHOOTING GUIDE</b>	<b>14</b>
5.1	LEAKING	14
5.2	OPERATIONAL MALFUNCTIONS	14
5.3	WARRANTIES AND GUARANTEES	14
<b>6</b>	<b>TECHNICAL SPECIFICATIONS</b>	<b>15</b>



---

# 1 Purpose

The purpose of the Swimsuit Dryer is to give the user the facility to remove water from their Swimsuits quickly, thus increasing their satisfaction with the pool experience, encouraging the user to continue to use the pool, sauna, steam room and other wet facilities offered. The Swimsuit Dryer has been designed, not only to increase the user's satisfaction, but to also offer a low-cost maintenance solution for the purchaser.

## 1.1 Proper usage and liability

---

The Swimsuit Dryer is intended to dry Swimsuits ONLY, neither The Swimsuit Dryer Company, the purchaser, nor the facility where the Swimsuit Dryer is installed will not be liable or take responsibility for any damages to swimming costumes where the user has not properly followed the instructions given.

The appliance is not to be used by persons (including children) with reduced physical, sensory, or mental capabilities, or lack of experience and knowledge, unless they have been given supervision or instruction

## 1.2 Identification & Certification

---

Please see the label located on the bottom right-hand side of The Swimsuit Dryer for the following Information:

- Serial Number
- Voltage and Frequency
- Manufactured Date
- Certification.



---

## 2 The Swimsuit Dryer Information

### 2.1 Where Would You Expect to Find the Swimsuit Dryer

---

The Facilities that a user could expect to find The Swimsuit Dryer installed in are:

- Health Clubs • Gyms • Public Swimming Pools • Hotels with Leisure Facilities • Spas
- Holiday Resorts • Universities • Wellness Centers • Recreation Centers • Cruise Liners • Any Commercial Property with a pool or wet area.

### 2.2 Items Supplied with the Swimsuit Dryer

---

The Swimsuit Dryer will be supplied with the following items. The items listed below must be kept should the unit experience a fault in or out of warranty, and to carry out any necessary maintenance.

Shipping Box and Packaging	Securing Bracket
User Manual	Fixing Screws
T30 Screwdriver	Mounting Bracket
Swimsuit Dryer Cleaning Brush	Cleaning Towel & Cleaner

### 2.3 Location and Pre-Installation.

---

We recommended all Next Generation Swimsuit Dryers are Installed:

- In a changing/Locker room, outside a changing/Locker room, in a corridor, or in an area where facility users have access, a dry or semi wet area, and a location where the wastewater can be removed.

The Swimsuit Dryer Must NOT be installed by anyone in any of the following locations:

- Any location where local laws and regulations do not permit mains equipment to be installed.

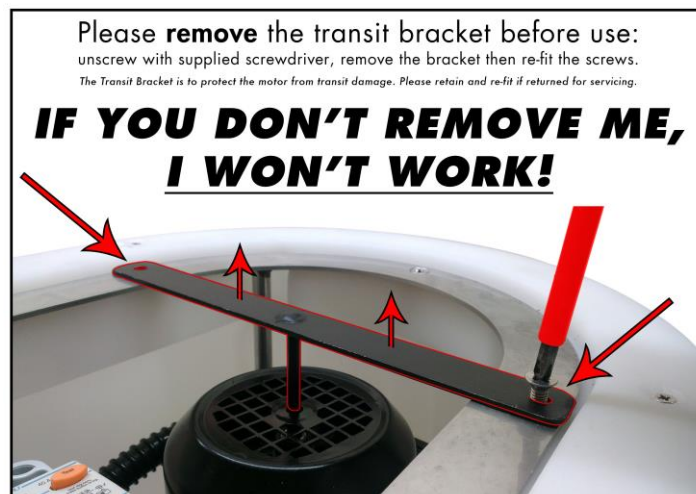
## 1 Wall Mounted Installation (Wall & Counter Top Models)

### 1.1 Remove Your Transit Bar

---

*IMPORTANT! REMOVE YOUR TRANSIT BAR BEFORE INSTALLATION.*

---

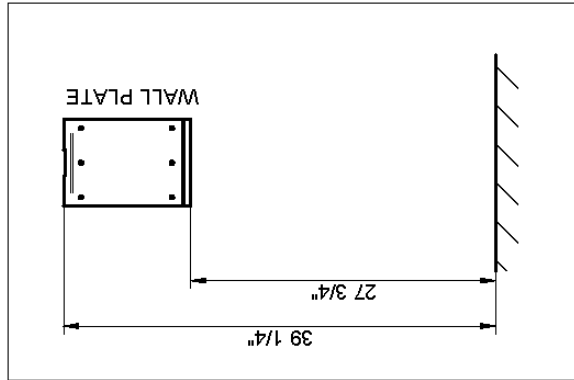


### 1.2 Fix Your Wall Plate

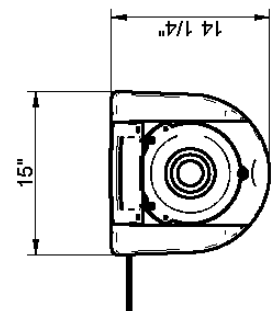
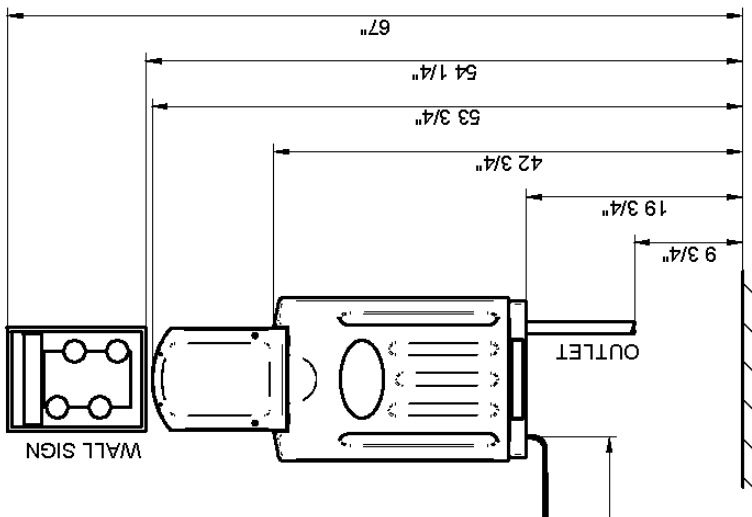
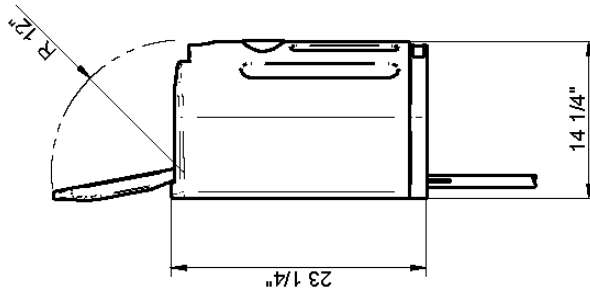
---

- Please ensure the wall can support approximately 30kg/ 66lbs of weight.
- Place the wall plate on the wall and ensure the top is 1 meter from the floor, check with a spirit level to ensure the wall plate is level. Mark your locating holes and drill the holes, insert wall fixings, then use the mounting screws to secure the wall plate to the wall.
- Place the Swimsuit Dryer onto the mounting bracket and connect it to the power and drainage.

### 1.3 Wall Mounted Model – Installation Diagram



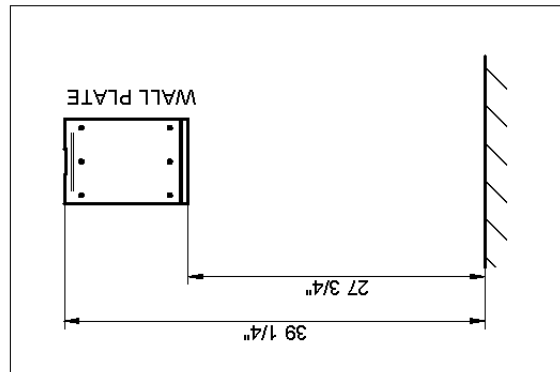
WALL PLATE DETAIL



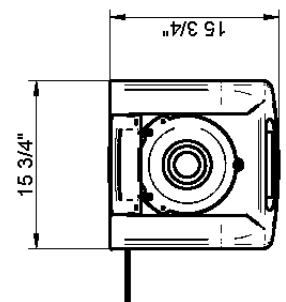
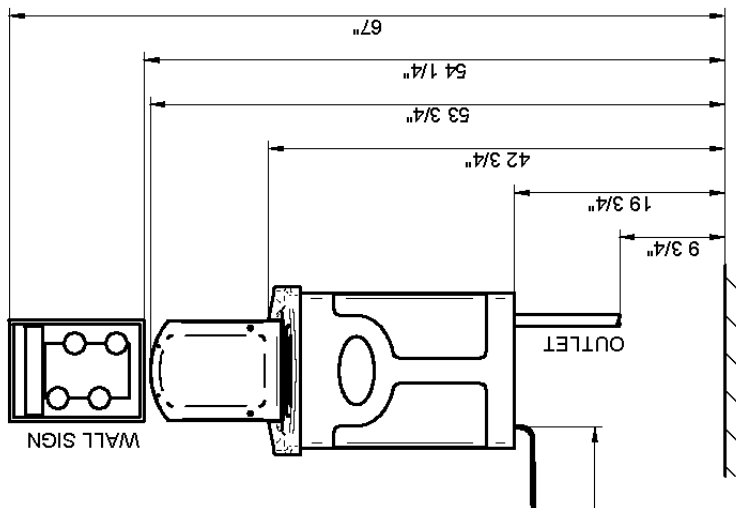
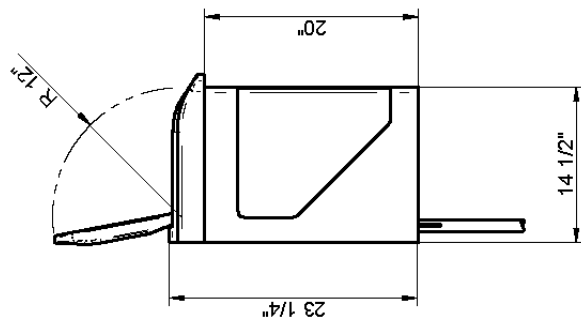


# THE SWIMSUIT DRYER

## 1.4 Counter-Top Model – Wall Installation Diagram



WALL PLATE DETAIL



---

## 2 Counter-Top Installation

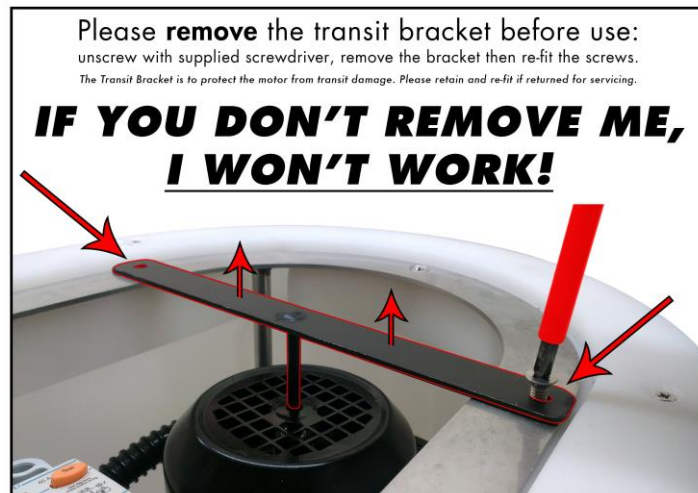
### 2.1 Remove Your Transit Bar

---

---

*IMPORTANT! REMOVE YOUR TRANSIT BAR BEFORE INSTALLATION.*

---



### 2.2 Surface Preparation

---

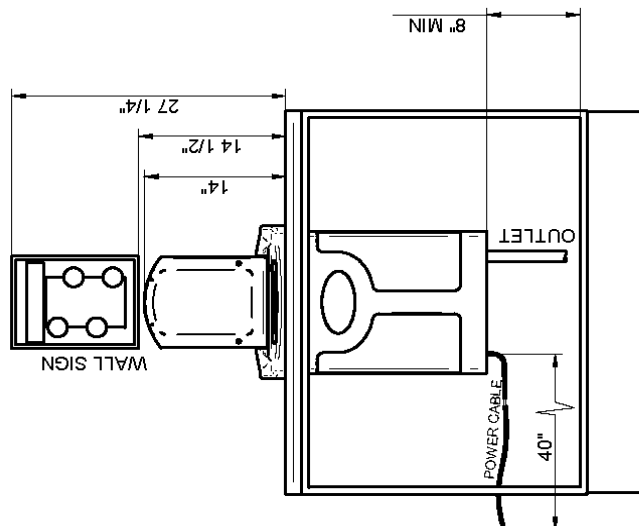
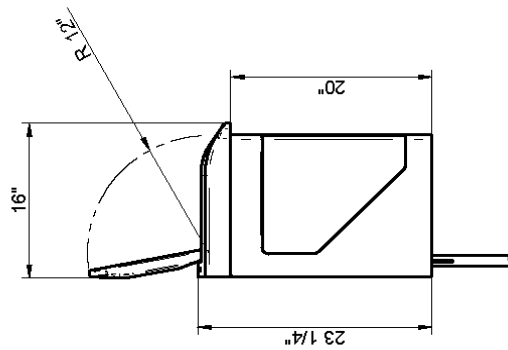
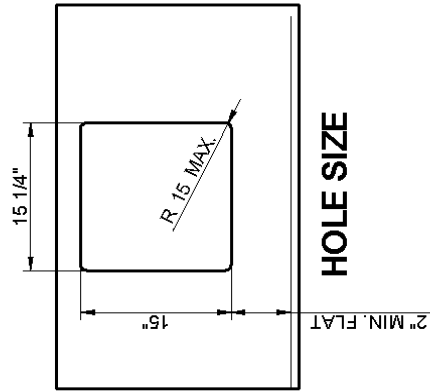
- Please ensure the countertop or tabletop can support approximately 30kg/ 66lbs of weight.
- Measure your surface using the dimensions shown on the installation diagram and cut this out.
- Place the Swimsuit Dryer into the hole and connect it to the power and drainage.



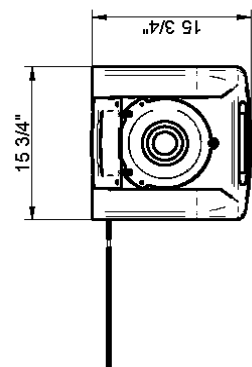


# THE SWIMSUIT DRYER

## 2.3 Counter-Top Model – Counter-Top



COUNTER UNIT NOT PART  
OF ASSEMBLY - SHOWN AS  
REPRESENTATION ONLY





## 2.4 Connecting the Swimsuit Dryer to a waste outlet

---

If you have not purchased out built-in water tank, the Swimsuit Dryer will need to be connected to you waste water outlet. This can be done by a professional tradesman.

Simply connect the waste outlet to your external plumbing.

The hose connects directly to a 32mm / 1 ¼ waste outlet.

Example of Swimsuit Dryer plumbed into the wall.



## 3 Electrical Connection

---

Please consult with a qualified electrician and ensure he complies with the local regulations.

---

### 3.1 Receptable/ Electrical Socket

---

If you are in the USA, UK, EU, or country that has the same connections you can order your Swimsuit Dryer with a plug. Simply plug the Swimsuit Dryer in and you are ready to use.

### 3.2 Hard Wired

---

If you need to hard wire your Swimsuit Dryer into a Fused Socket or Receptable please contact a qualified electrician.

---

***TIP - Make sure your RCD/GFI is switched "ON".***

---





## 4 Maintenance & Cleaning

The Swimsuit Dryer has been manufactured to be maintenance FREE.

### 4.1 Cleaning Requirements

---

Your Swimsuit Dryer should be cleaned weekly, or as required.

Equipment Required:

- Cleaner and Disinfectant
- Hand Towel
- Screwdriver

---

**DO NOT pour large amounts of water or cleaning solution directly into the Swimsuit Dryer.**

---

### 4.2 Cleaning Instructions

---

To keep your Swimsuit Dryer clean and sanitized, we recommend you use a general disinfectant.

#### 4.3 Weekly Cleaning Requirements

---

Spray the outer body of the Swimsuit Dryer with the disinfectant and wipe it down with the cleaning towel.



# THE SWIMSUIT DRYER

## 4.4 Monthly Cleaning Requirements

---

### Step 1

- Lift the lid and remove the Top Cover.
- Spray the cleaner inside the drum and down between the drum and liner.

### Step 2

- Re-fit the top ring cover making sure to tighten the security screws.
- Operate the dryer for 10 seconds to remove any cleaner from inside the drum.





---

## 5 Malfunctions/ Troubleshooting Guide

### 5.1 Leaking

---

If the Swimsuit Dryer is leaking from the bottom of the unit, please resolve this immediately to prevent any damage to the motor:

- Remove the Top Cover, check and remove any blockages.

If your Swimsuit Dryer is still leaking check your external waste connection or contact us.

### 5.2 Operational Malfunctions

---

The Swimsuit Dryer has been designed and manufactured to be an exceptionally reliable and durable machine. Should the product malfunction, please contact us.

### 5.3 Warranties and Guarantees

---

All Swimsuit Dryers are covered by our GLOBAL GUARANTEE protection warranty. This Guarantees you a minimum of 1-year Global warranty for all Factory refurbished Dryers and 2 years for all New Swimsuit Dryer.

For full terms visit: [www.swimsuitdryer.global](http://www.swimsuitdryer.global).



---

## 6 Technical Specifications

Weight:	20kg / 44lbs free standing 25kg / 55lbs when fully boxed	
Energy:	Standby: approximately 3 watts Per hour Running: approximately 0.97 watts per cycle.	
Safety Details:	Smooth Plastic Body RCD/GFI Installed Low Voltage LEDs Overload Protected Safety Brake	PAT Tested PTO Installed IP65 Enclosures IP54 Brake Motor UL 94
Voltage:	220-240 Volt 50/60 Hz local supply 110-120 Volt 50/60 Hz local supply	
Mounting:	Wall Mounted or Counter-Top	
Waste Hose:	60cm from the unit 23.62" from the unit Custom Length Available	
Basket Volume:	2 litres	
Waste Outlet:	Connects directly to waste outlet: 32mm / 1 1/4 Hose Internal Diameter 28.0mm / 1.10" Hose Outside Diameter 33.5mm / 1.31"	
Noise Emission:	Approximately 50 – 60dB when used correctly	
Warranty:	2 Year Global Guarantee – New 1 Year Global Guarantee – Refurbished	





**7**  
WORLDWIDE  
BRANCHES

**30**  
OVER 30 +  
INTERNATIONAL  
PARTNERS



**150**  
FREE SHIPPING  
TO OVER  
150 COUNTRIES

**2**  
YEAR  
GLOBAL  
GUARANTEE

#### **SWIMSUIT DRYER CO LTD**

7 Merrylees Ind Est  
Leeside  
Leicestershire  
LE9 9FS – UK  
Tel: +44 1530 231 292  
Email: sales@swimsuitdryer.co.uk

#### **SWIMSUIT DRYER CO LLC**

690 S Highway 89, Suite 200  
Box 9149  
Jackson, WY 83002  
United States  
Tel: +1-877-778-8306  
Email: sales@swimsuitdryer.com

#### **SWIMSUIT DRYER CO LLC**

11103 Autoro Court  
Boca Raton  
United States  
FL 33432  
Tel: +1 856-404-7845  
Email: sales@swimsuitdryer.com

#### **SWIMSUIT DRYER AUSTRALIA PTY LTD**

PO Box 6102  
North Ryde  
NSW 2113  
Australia  
Tel: +61 (2) 9878 6558  
Email: sales@swimsuitdryer.com.au

#### **SWIMSUIT DRYER IBERICA**

Dr. Roux 32, bajos 1ª  
BARCELONA  
08017  
ESPAÑA  
Tel: +34 676992795  
Email: info@swimsuitdryer.es

#### **SWIMSUIT DRYER (PTY) LTD**

8 Hillside Road  
Parktown  
JOHANNESBURG  
2196 – South Africa  
Tel: + 27-10-442-6226  
Email: sales@swimsuitdryer.za

#### **SWIMSUIT DRYER RUSSIA**

Terminal Group T/A  
Swimsuit Dryer Russia  
Pokrovsky Boulevard,  
Moscow – 101000, Russia  
Tel: + 7(499) 4096198  
Email: sales@swimsuitdryer.ru